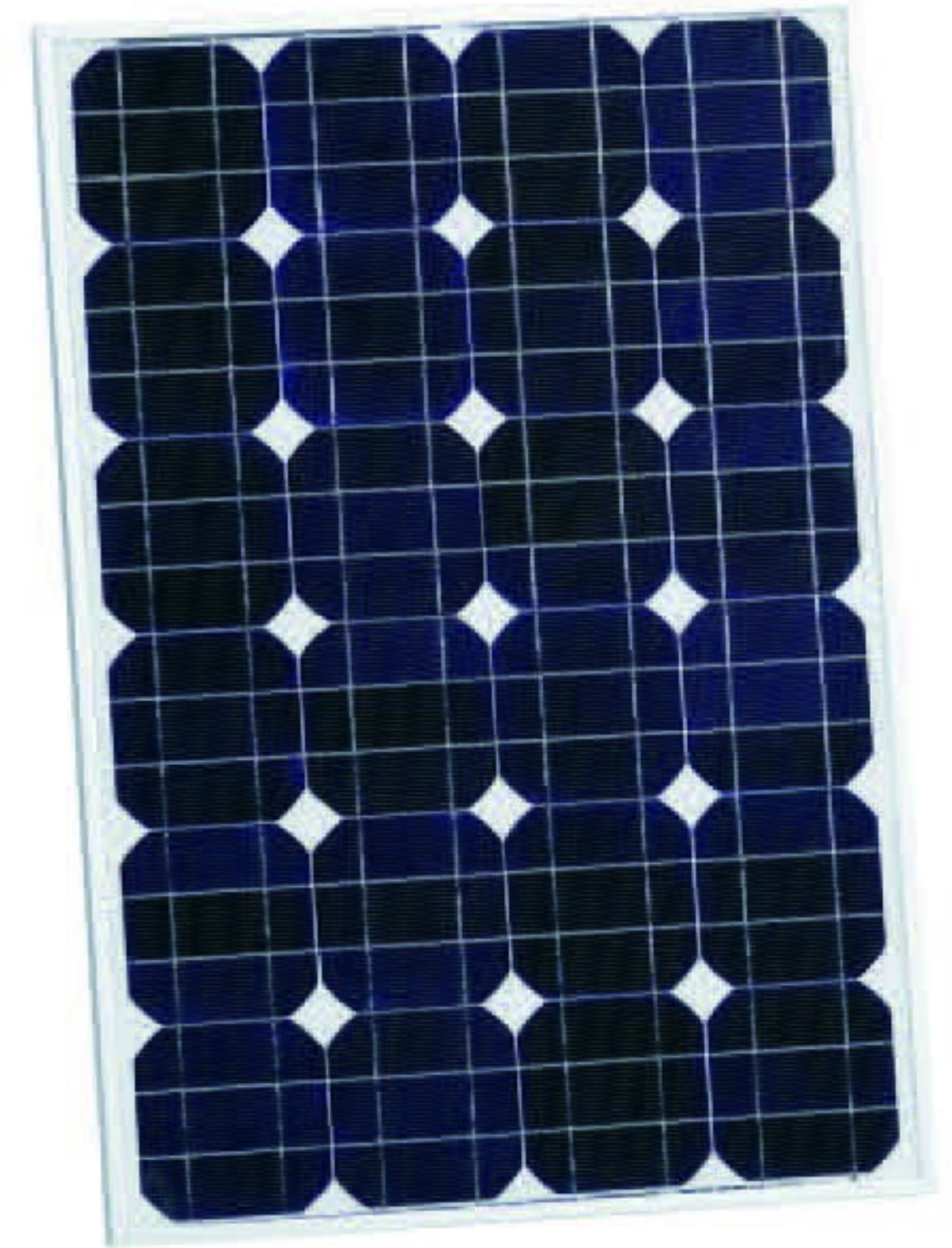


PWM-55W

PWM-60W



Electrical Data

MONO	PWM-55W	PWM-60W
Nominal peak power [Pmax] ±3%	55Wp	60Wp
Maximum power voltage [Vmp]	18V	18V
Maximum power current [Imp]	3.06A	3.34A
Short-circuit current [Isc]	3.32A	3.63A
Open-circuit voltage [Voc]	22.5V	22.5V
Optimized cell efficiency [η]	15.4%	16.8%

Limits

Operating temperature	-40°C to +85°C
Maximum system voltage	715VDC

Temperature and Coefficients

NOCT	48°C ± 2°C	
Current temperature coefficient	%/K	0.06 ± 0.01
Voltage temperature coefficient	mV/K	-(78 ± 10)
Power temperature coefficient	%/K	-(0.5 ± 0.05)

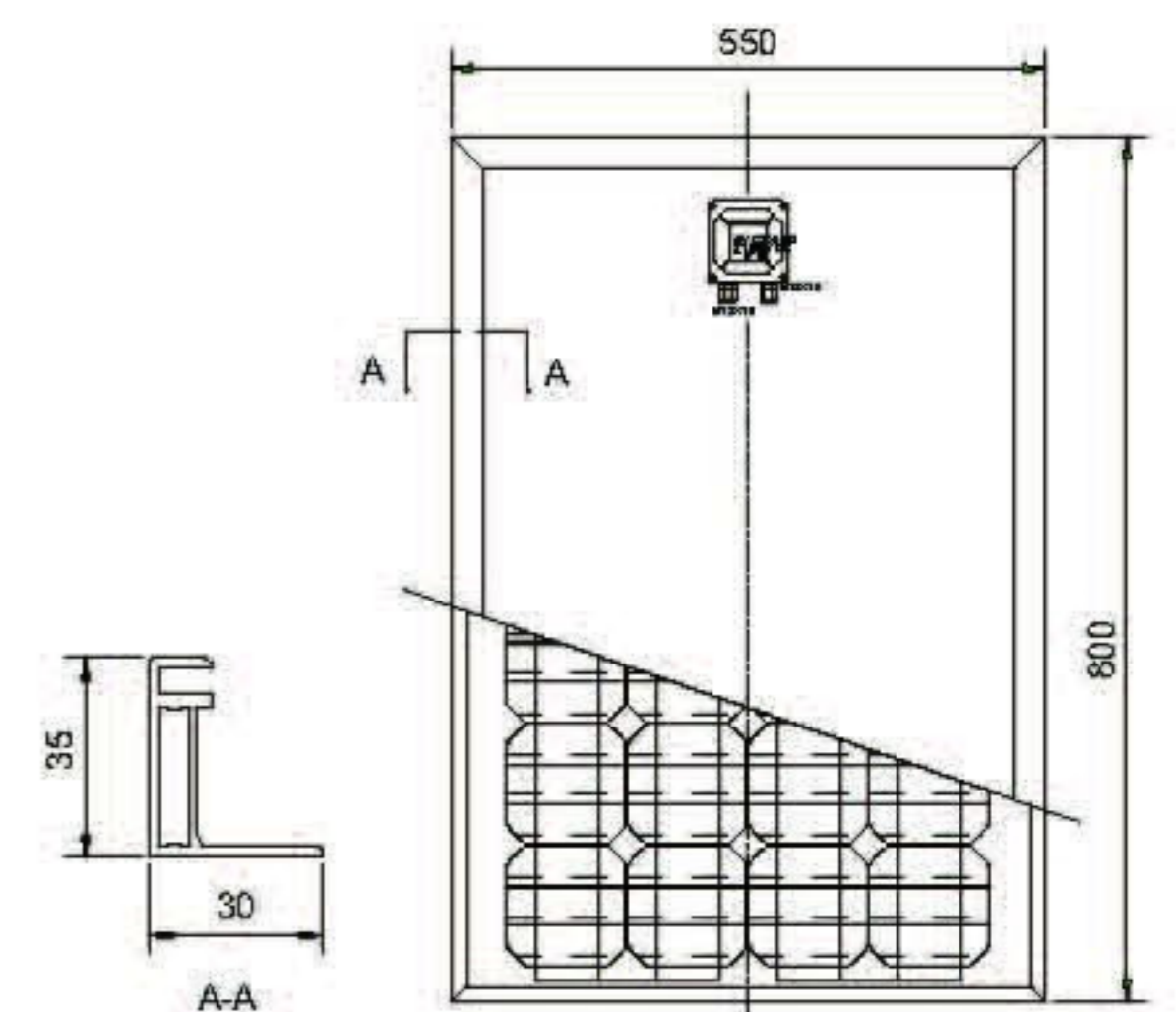
NOCT: Nominal Operation Cell Temperature

Additional Data

Number of cells and type of connection	24, serial connection
Dimensions	Length: 800 mm Width: 550 mm Height: 35 mm
Weight	5.5 kg
Container Loading	2160PCS/40'HQ 1920PCS/40'GP 864PCS/20'GP

[Standard Conditions: Irradiation 1000W/m²; Module temperature 25°C]

Guaranteed Power Output	15year: 90% of its nominal power rating
	25year: 80% of its nominal power rating
Warranty Period	Replacement for manufacturing defects within 5 years
Certificates	CE, ISO, IEC61215 & 61730-2 (TUV), UL1703/CSA
Cells	xql; Monocrystalline silicon photovoltaic cell



Characteristics

Module Graph 60W

